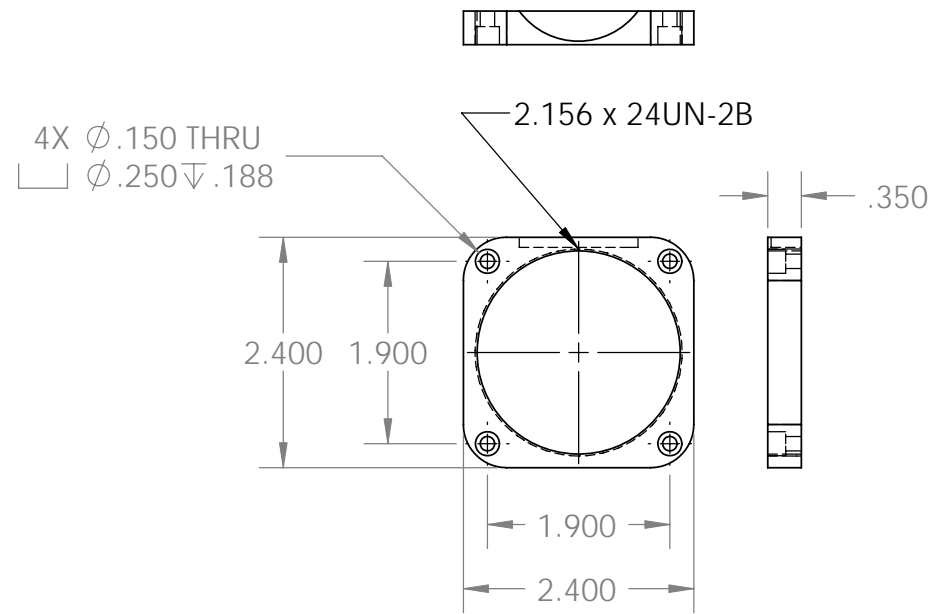


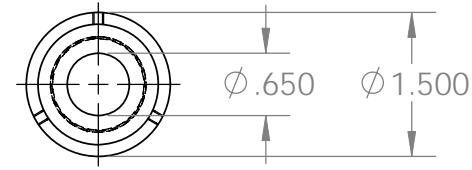
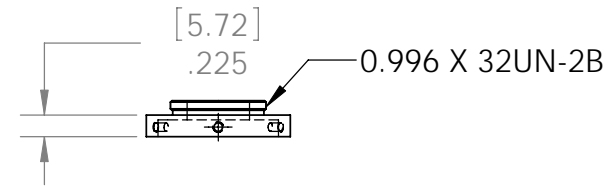
NOTE: OPTICAL PATH INCLUDES 2MM AR COATED CHAMBER WINDOW AND 0.7MM CCD COVER GLASS

<p>THIRD ANGLE PROJECTION</p>	UNLESS OTHERWISE SPECIFIED:	NAME	DATE	<p>Quantum Scientific Imaging, Inc.</p> <p>TITLE:</p> <p>500 Series Customer Reference</p>
	<p>DIMENSIONS ARE IN INCHES</p> <p>TOLERANCES:</p> <p>FRACTIONAL \pm N/A</p> <p>ANGULAR: MACH $\pm 0^\circ 30'$</p> <p>TWO PLACE DECIMAL ± 0.01</p> <p>THREE PLACE DECIMAL ± 0.005</p>	DRAWN	D. Challis	
<p>PROPRIETARY AND CONFIDENTIAL</p> <p>THE INFORMATION CONTAINED IN THIS DRAWING IS THE SOLE PROPERTY OF QUANTUM SCIENTIFIC IMAGING, INC. ANY REPRODUCTION IN PART OR AS A WHOLE WITHOUT THE WRITTEN PERMISSION OF QUANTUM SCIENTIFIC IMAGING, INC. IS PROHIBITED.</p>	INTERPRET GEOMETRIC TOLERANCING PER: ASME Y14.5M	ENGINEER	N. Barry	<p>SIZE B</p> <p>DWG. NO. D05000600</p> <p>REV F</p>
	MATERIAL	MFG APPR.		
	FINISH	Q.A.	COMMENTS:	
		FILENAME: 500 Series Customer Reference		SCALE: 1:2
				WEIGHT:
				SHEET 1 OF 2

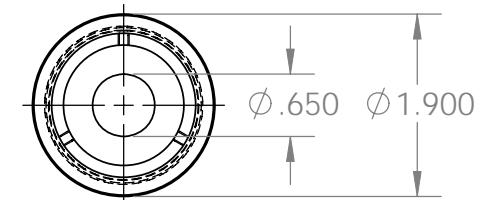
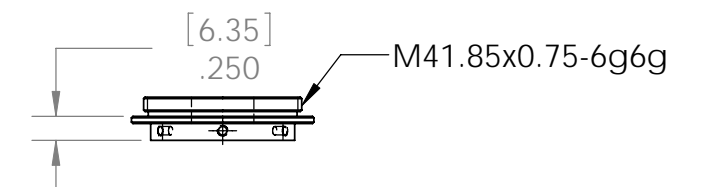
WSG MODEL
CONTROLLING DIMENSIONS IN INCHES
[MM] SHOWN FOR REFERENCE



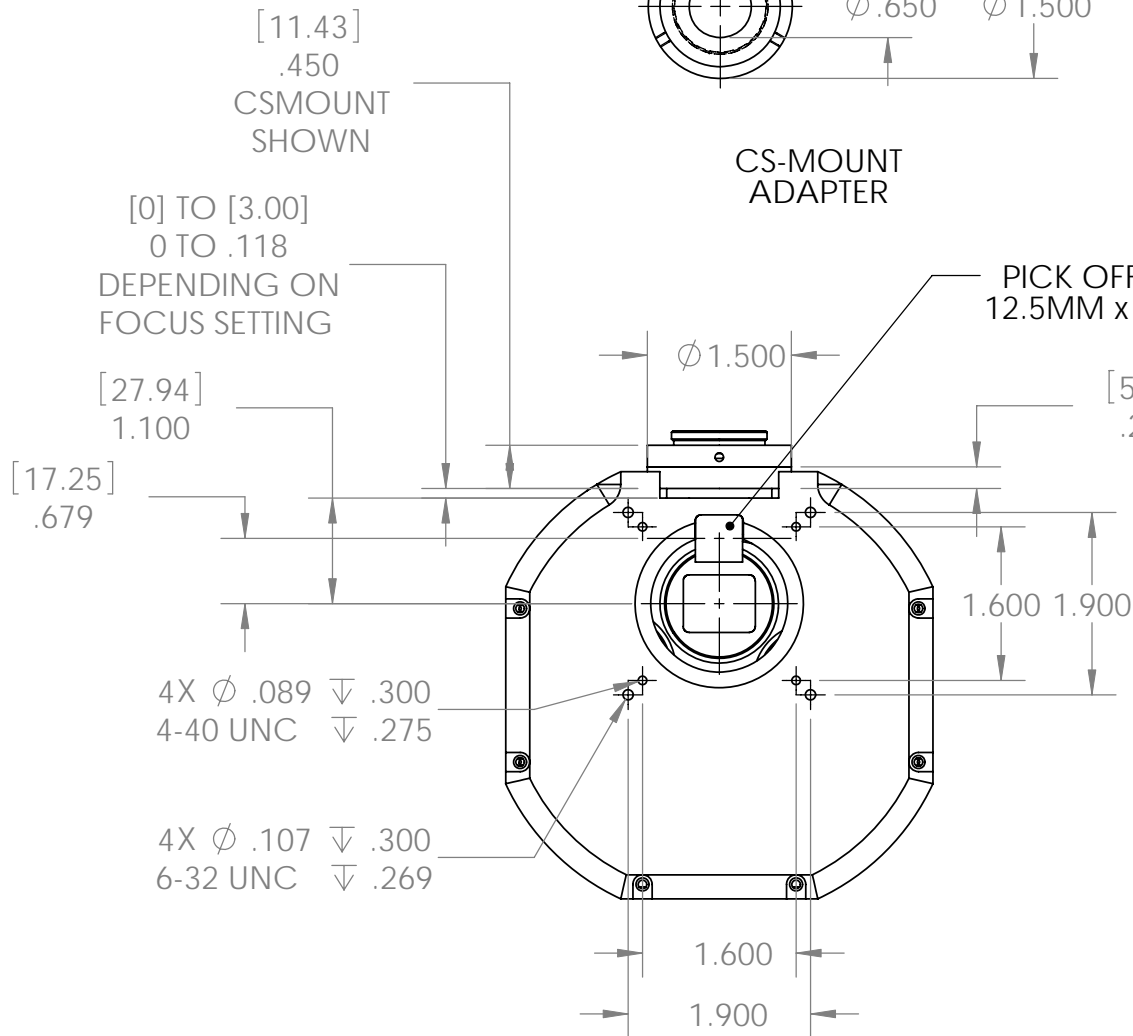
2.156 ADAPTER
SEE SHEET 1
FOR OTHER ADAPTERS



CS-MOUNT
ADAPTER



T-MOUNT
ADAPTER



PICK OFF PRISM
12.5MM x 12.5MM

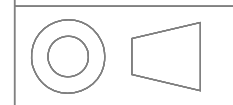
[5.72]
.225

[17.53]
.690
FILTER SEAT

[20.70]
.815
TOP OF WHEEL
(FILTER MAY EXCEED THIS HEIGHT)

[44.45]
1.750
[33.02]
1.300
GUIDE PORT
OPTICAL ϕ

THIRD ANGLE PROJECTION



PROPRIETARY AND CONFIDENTIAL
THE INFORMATION CONTAINED IN THIS DRAWING IS THE SOLE PROPERTY OF QUANTUM SCIENTIFIC IMAGING, INC. ANY REPRODUCTION IN PART OR AS A WHOLE WITHOUT THE WRITTEN PERMISSION OF QUANTUM SCIENTIFIC IMAGING, INC. IS PROHIBITED.

UNLESS OTHERWISE SPECIFIED:

DIMENSIONS ARE IN INCHES
TOLERANCES:
FRACTIONAL \pm N/A
ANGULAR: MACH $\pm 0^\circ 30'$
TWO PLACE DECIMAL ± 0.01
THREE PLACE DECIMAL ± 0.005

INTERPRET GEOMETRIC
TOLERANCING PER: ASME Y14.5M

MATERIAL

FINISH

	NAME	DATE
DRAWN	D. Challis	
CHECKED		
ENGINEER		
MFG APPR.		
Q.A.		
COMMENTS:		
FILENAME:	500 Series Customer Reference	

Quantum Scientific Imaging, Inc.

TITLE:
500 Series Customer Reference

SIZE B	DWG. NO. D05000600	REV F
------------------	-----------------------	-----------------

SCALE: 1:2 WEIGHT: SHEET 2 OF 2