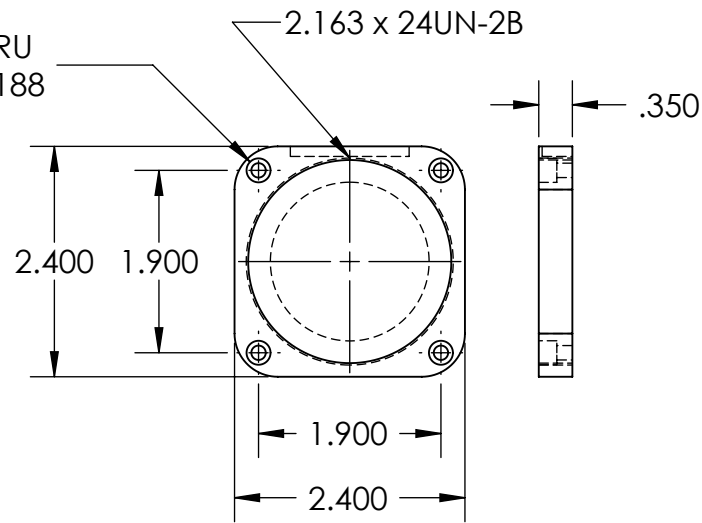


NOTE: OPTICAL PATH INCLUDES 2MM AR COATED CHAMBER WINDOW AND 0.7MM CCD COVER GLASS

	UNLESS OTHERWISE SPECIFIED:	NAME	DATE	Quantum Scientific Imaging, Inc.		
	DIMENSIONS ARE IN INCHES TOLERANCES: FRACTIONAL ± N/A ANGULAR: MACH ± 0° 30' TWO PLACE DECIMAL ± 0.01 THREE PLACE DECIMAL ± 0.005	DRAWN	D. CHALLIS			TITLE: 500 & 600 SERIES CUSTOMER REFERENCE
PROPRIETARY AND CONFIDENTIAL THE INFORMATION CONTAINED IN THIS DRAWING IS THE SOLE PROPERTY OF QUANTUM SCIENTIFIC IMAGING, INC. ANY REPRODUCTION IN PART OR AS A WHOLE WITHOUT THE WRITTEN PERMISSION OF QUANTUM SCIENTIFIC IMAGING, INC. IS PROHIBITED.	INTERPRET GEOMETRIC TOLERANCING PER: ASME Y14.5M	ENGINEER	N. Barry	SIZE	DWG. NO.	
	MATERIAL	MFG APPR.		B	D05000600	H1
	FINISH	Q.A.		SCALE: 1:2	WEIGHT:	SHEET 1 OF 6
		COMMENTS:		FILENAME: 500 Series Customer Reference		

WSG MODEL
CONTROLLING DIMENSIONS IN INCHES
[MM] SHOWN FOR REFERENCE

4X ϕ .150 THRU
 ϕ .250 ∇ .188



2.156 ADAPTER
SEE SHEET 1
FOR OTHER ADAPTERS

[11.43]
.450
CSMOUNT
SHOWN

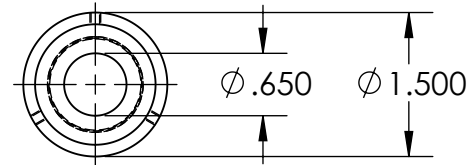
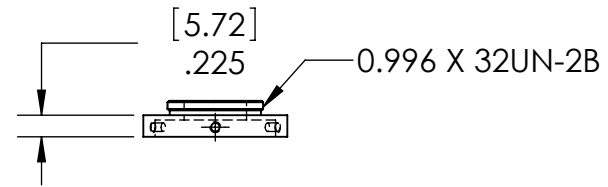
[0] TO [3.00]
0 TO .118
DEPENDING ON
FOCUS SETTING

[27.94]
1.100

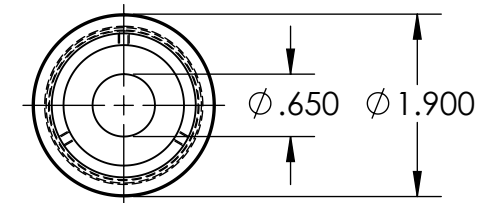
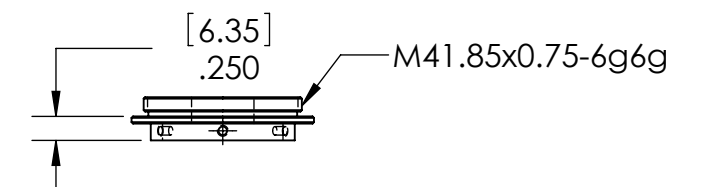
[17.25]
.679

4X ϕ .089 ∇ .300
4-40 UNC ∇ .275

4X ϕ .107 ∇ .300
6-32 UNC ∇ .269



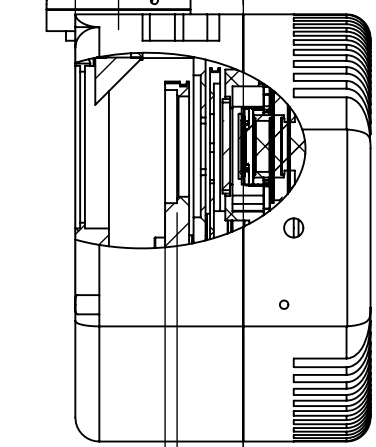
CS-MOUNT
ADAPTER



T-MOUNT
ADAPTER

[44.45]
1.750

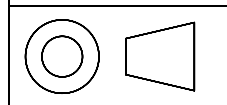
[33.02]
1.300
GUIDE PORT
OPTICAL ϕ



[17.53]
.690
FILTER SEAT

[20.70]
.815
TOP OF WHEEL
(FILTER MAY EXCEED THIS HEIGHT)

THIRD ANGLE PROJECTION



PROPRIETARY AND CONFIDENTIAL
THE INFORMATION CONTAINED IN THIS
DRAWING IS THE SOLE PROPERTY OF
QUANTUM SCIENTIFIC IMAGING, INC.
ANY REPRODUCTION IN PART OR AS A
WHOLE WITHOUT THE WRITTEN
PERMISSION OF QUANTUM SCIENTIFIC
IMAGING, INC. IS PROHIBITED.

UNLESS OTHERWISE SPECIFIED:

DIMENSIONS ARE IN INCHES
TOLERANCES:
FRACTIONAL \pm N/A
ANGULAR: MACH \pm 0° 30'
TWO PLACE DECIMAL \pm 0.01
THREE PLACE DECIMAL \pm 0.005

INTERPRET GEOMETRIC
TOLERANCING PER: ASME Y14.5M

MATERIAL

FINISH

	NAME	DATE
DRAWN	D. CHALLIS	
CHECKED		
ENGINEER		
MFG APPR.		
Q.A.		
COMMENTS:		

FILENAME: 500 Series Customer
Reference

Quantum Scientific Imaging, Inc.

TITLE:
500 & 600 SERIES CUSTOMER
REFERENCE

SIZE	DWG. NO.	REV
B	D05000600	H1

SCALE: 1:2 WEIGHT: SHEET 2 OF 6

31MM FILTER RETAINING SCREW
5X ϕ .070 THRU ALL
2-56 UNC THRU ALL

ϕ 3.500

5X ϕ 1.235

5X
 \checkmark ϕ 1.139 X 90°
THREAD
1.1088 MIN PITCH ϕ
1.1310 MAX PITCH ϕ
42 TPI

31MM
5MM THICK
FILTERS

31MM
3MM THICK
FILTERS

2-56 x 5/16
BUTTON SOCKET

2-56 x 1/4
BUTTON SOCKET

FLAT WASHER

FLAT WASHER

SHOULDER WASHER

NYLON WASHER

NYLON WASHER

.125 FILTER SEAT DEPTH

ϕ 4.800

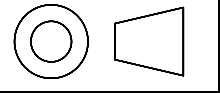
8X ϕ 1.242

8X ϕ .070 THRU ALL
2-56 UNC THRU ALL

8X
 \checkmark ϕ 1.139 X 90°
THREAD
1.1088 MIN PITCH ϕ
1.1310 MAX PITCH ϕ
42 TPI

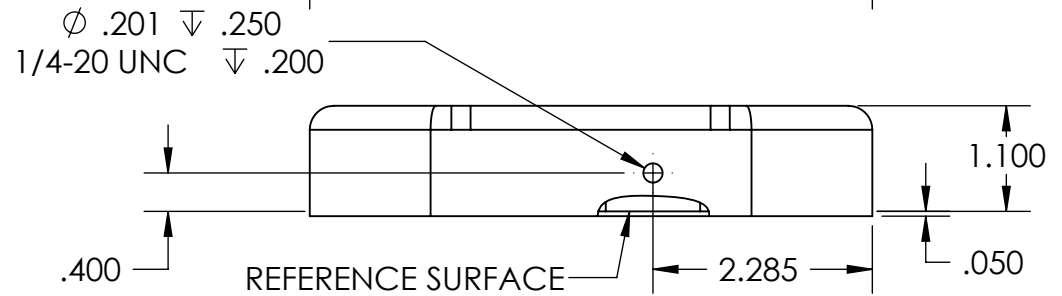
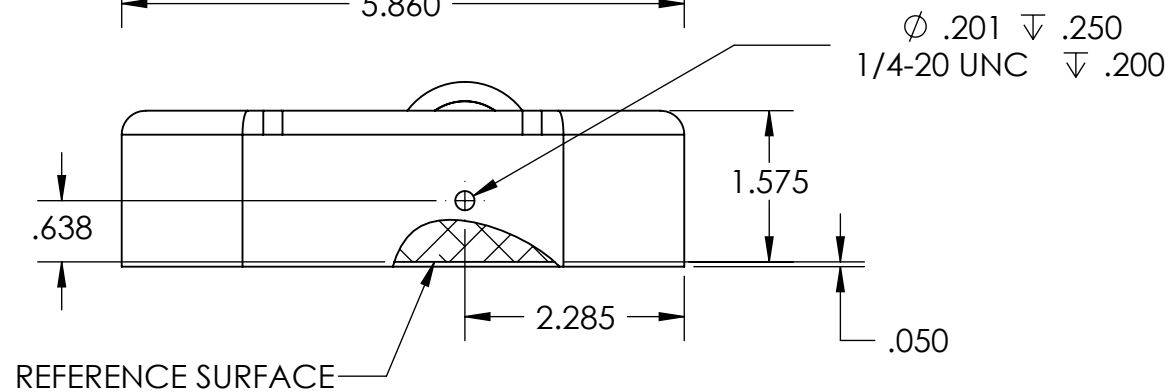
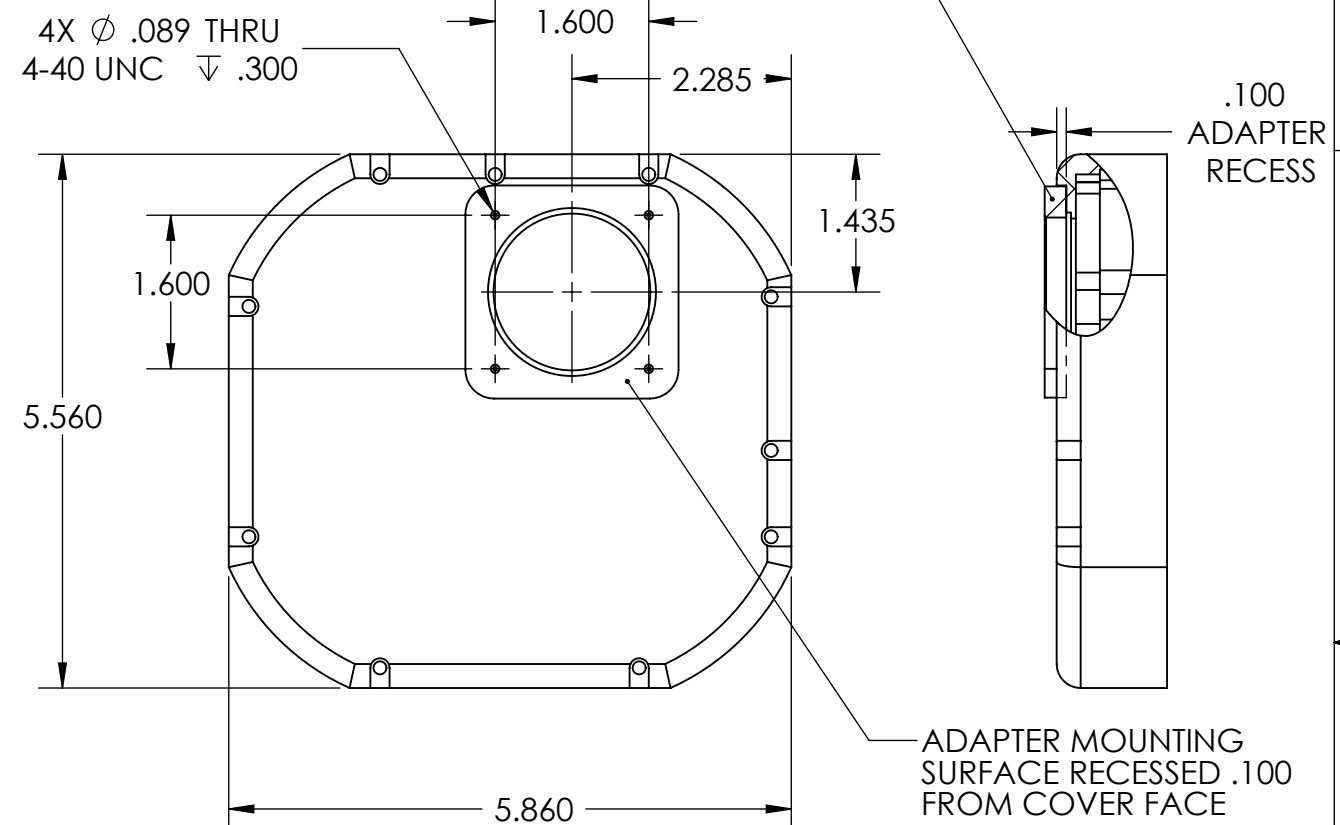
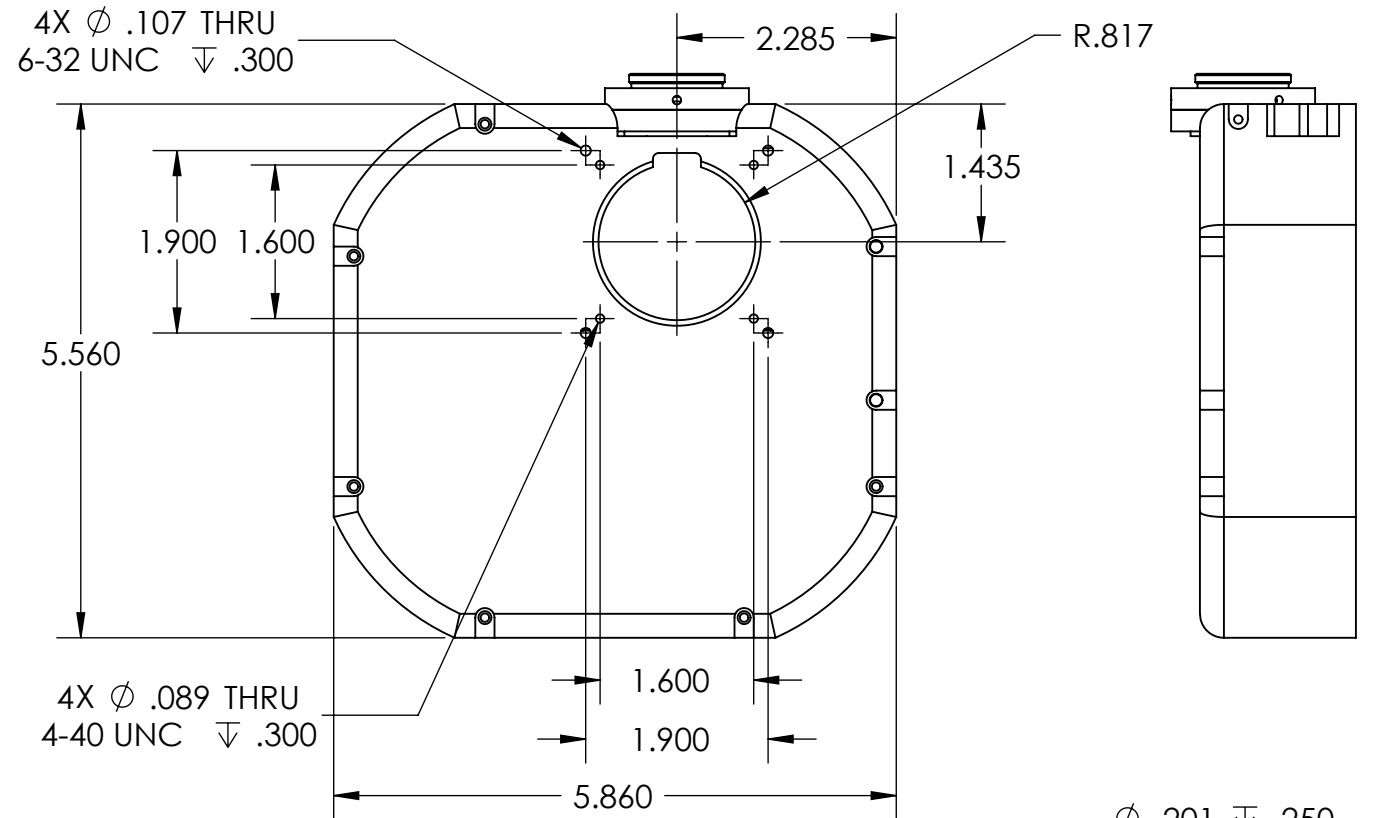
**5 POSITION AND 8 POSITION
FILTER WHEELS**

.125

 <p>THIRD ANGLE PROJECTION</p>	UNLESS OTHERWISE SPECIFIED:		NAME	DATE	Quantum Scientific Imaging, Inc. TITLE: 500 & 600 SERIES CUSTOMER REFERENCE
	DIMENSIONS ARE IN INCHES TOLERANCES: FRACTIONAL \pm N/A ANGULAR: MACH \pm 0° 30' TWO PLACE DECIMAL \pm 0.01 THREE PLACE DECIMAL \pm 0.005		DRAWN	D. CHALLIS	
PROPRIETARY AND CONFIDENTIAL THE INFORMATION CONTAINED IN THIS DRAWING IS THE SOLE PROPERTY OF QUANTUM SCIENTIFIC IMAGING, INC. ANY REPRODUCTION IN PART OR AS A WHOLE WITHOUT THE WRITTEN PERMISSION OF QUANTUM SCIENTIFIC IMAGING, INC. IS PROHIBITED.	INTERPRET GEOMETRIC TOLERANCING PER: ASME Y14.5M		ENGINEER	N. Barry	SIZE B DWG. NO. D05000600 REV H1
	MATERIAL		MFG APPR.		
	FINISH		Q.A.		
			COMMENTS:		
			FILENAME: 500 Series Customer Reference		

WSG COVER 8 POSITION WHEEL

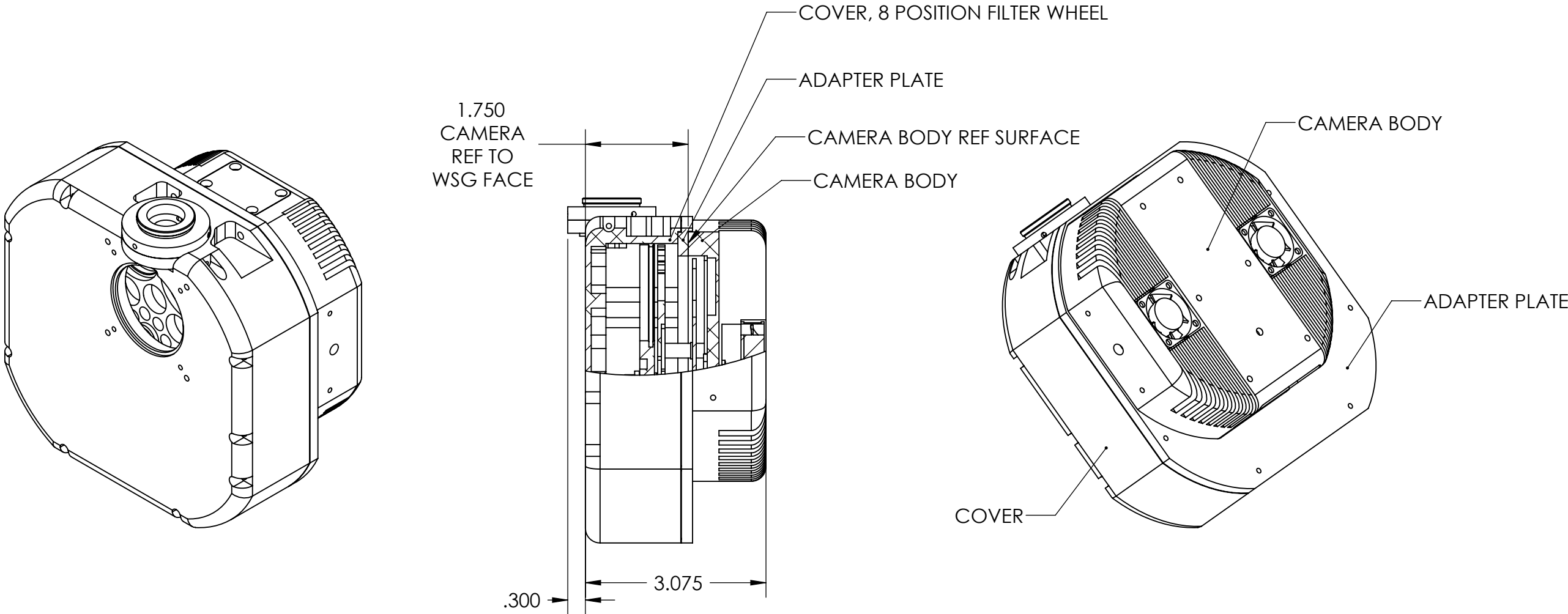
WS COVER 8 POSITION WHEEL



SEE SHEET 5 FOR ASSEMBLY DETAILS

	UNLESS OTHERWISE SPECIFIED:	NAME	DATE	Quantum Scientific Imaging, Inc.			
	DIMENSIONS ARE IN INCHES TOLERANCES: FRACTIONAL \pm N/A ANGULAR: MACH \pm 0° 30' TWO PLACE DECIMAL \pm 0.01 THREE PLACE DECIMAL \pm 0.005	DRAWN	D. CHALLIS				TITLE:
PROPRIETARY AND CONFIDENTIAL THE INFORMATION CONTAINED IN THIS DRAWING IS THE SOLE PROPERTY OF QUANTUM SCIENTIFIC IMAGING, INC. ANY REPRODUCTION IN PART OR AS A WHOLE WITHOUT THE WRITTEN PERMISSION OF QUANTUM SCIENTIFIC IMAGING, INC. IS PROHIBITED.	INTERPRET GEOMETRIC TOLERANCING PER: ASME Y14.5M	CHECKED		500 & 600 SERIES CUSTOMER REFERENCE			
	MATERIAL	ENGINEER				SIZE	DWG. NO.
	FINISH	MFG APPR.			B	D05000600	H1
		Q.A.			SCALE: 1:2	WEIGHT:	SHEET 4 OF 6
	COMMENTS:			FILENAME: 500 Series Customer Reference			

CAMERA / 8 POSITION FILTER WHEEL COVER INTERFACE



<p>THIRD ANGLE PROJECTION</p>	UNLESS OTHERWISE SPECIFIED:	NAME	DATE	<p>Quantum Scientific Imaging, Inc.</p>			
	<p>DIMENSIONS ARE IN INCHES</p> <p>TOLERANCES:</p> <p>FRACTIONAL ± N/A</p> <p>ANGULAR: MACH ± 0° 30'</p> <p>TWO PLACE DECIMAL ±0.01</p> <p>THREE PLACE DECIMAL ±0.005</p>	DRAWN	D. CHALLIS		TITLE:		
<p>PROPRIETARY AND CONFIDENTIAL</p> <p>THE INFORMATION CONTAINED IN THIS DRAWING IS THE SOLE PROPERTY OF QUANTUM SCIENTIFIC IMAGING, INC. ANY REPRODUCTION IN PART OR AS A WHOLE WITHOUT THE WRITTEN PERMISSION OF QUANTUM SCIENTIFIC IMAGING, INC. IS PROHIBITED.</p>	INTERPRET GEOMETRIC TOLERANCING PER: ASME Y14.5M	ENGINEER		<p>500 & 600 SERIES CUSTOMER REFERENCE</p>			
	MATERIAL	MFG APPR.			SIZE		
	FINISH	Q.A.			DWG. NO.		
		COMMENTS:			REV		
	FILENAME: 500 Series Customer Reference			SCALE: 1:2	DWG. NO. D05000600	WEIGHT:	SHEET 5 OF 6

8 7 6 5 4 3 2 1

D

D

C

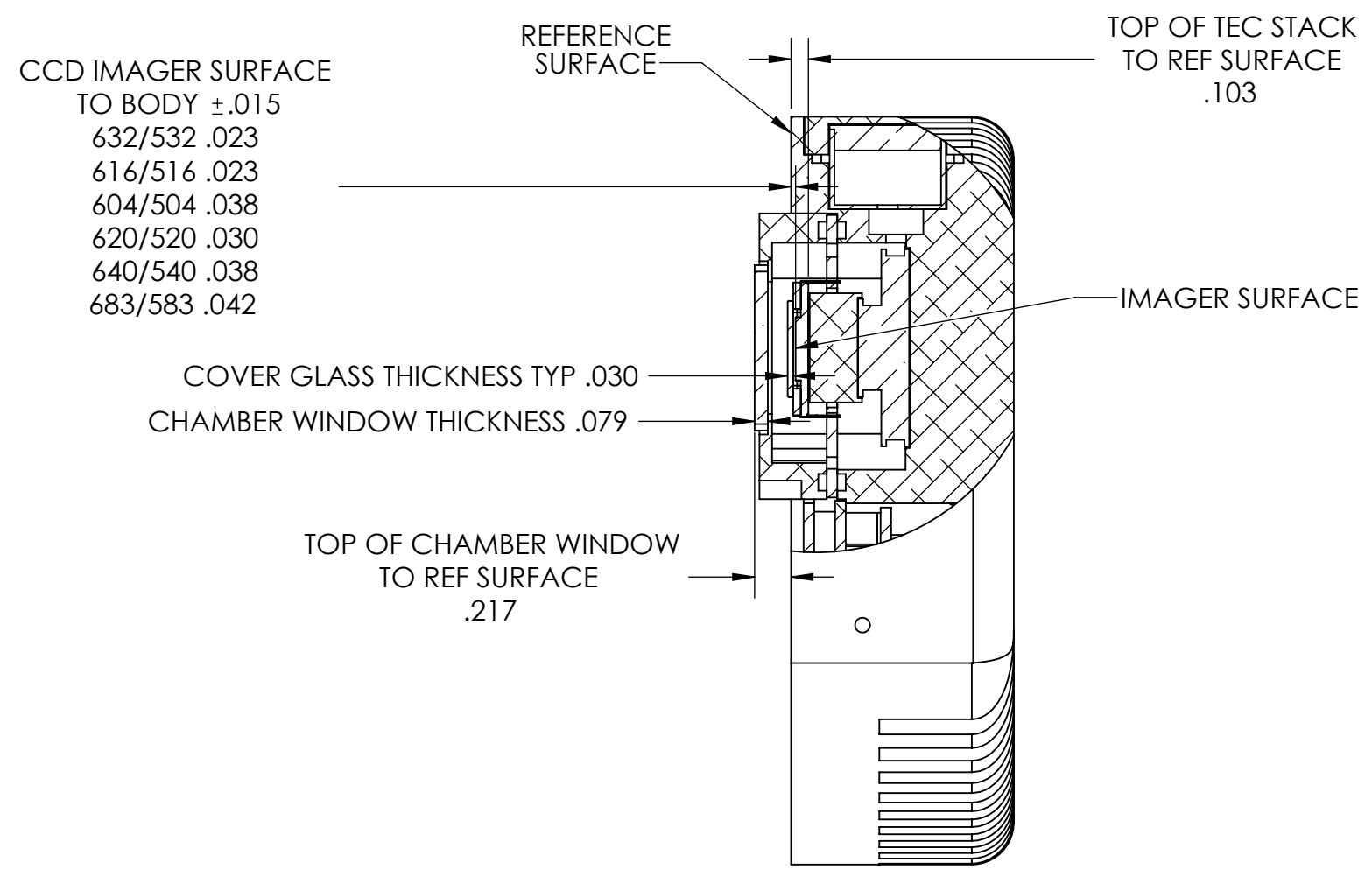
C

B

B

A

A



ALL MODELS
 MAIN BODY
 SIDE VIEW
 SCALE 1:1

	UNLESS OTHERWISE SPECIFIED:	NAME	DATE	Quantum Scientific Imaging, Inc. TITLE: 500 & 600 SERIES CUSTOMER REFERENCE		
	DIMENSIONS ARE IN INCHES TOLERANCES: FRACTIONAL \pm N/A ANGULAR: MACH $\pm 0^\circ 30'$ TWO PLACE DECIMAL ± 0.01 THREE PLACE DECIMAL ± 0.005	DRAWN	D. CHALLIS			
PROPRIETARY AND CONFIDENTIAL THE INFORMATION CONTAINED IN THIS DRAWING IS THE SOLE PROPERTY OF QUANTUM SCIENTIFIC IMAGING, INC. ANY REPRODUCTION IN PART OR AS A WHOLE WITHOUT THE WRITTEN PERMISSION OF QUANTUM SCIENTIFIC IMAGING, INC. IS PROHIBITED.	INTERPRET GEOMETRIC TOLERANCING PER: ASME Y14.5M	ENGINEER		SIZE B DWG. NO. D05000600 REV H1		
	MATERIAL	MFG APPR.				
	FINISH	Q.A.			SCALE: 1:2	WEIGHT:
		COMMENTS:		FILENAME: 500 Series Customer Reference		

8 7 6 5 4 3 2 1